

# CopperPress™ Submittal

By Merit Brass Co.



## XL Press Unequal Tee



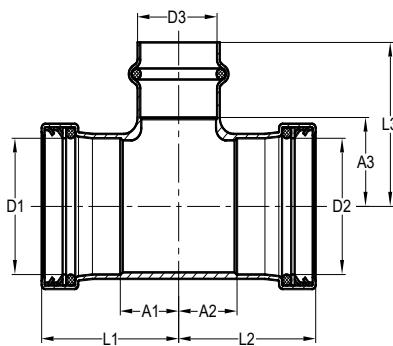
<b>Job Name</b>	
<b>Job Location</b>	
<b>P.O.#</b>	
<b>Engineer</b>	
<b>Contractor</b>	
<b>Wholesaler</b>	
<b>Merit Associate</b>	

**CopperPress™ XL Press Unequal Tee** is available in sizes 2-1/2" - 4" and is made of lead-free\* dezincification resistant copper with an EPDM or HNBR o-ring. **CopperPress™** fittings are designed to be used with ASTM B88 Type K, L, and M copper tubing in the hard-drawn condition.

- **Visually Indicates Pressed Ring (VIPR)** - facilitates immediate identification of un-pressed connections
- **Leak Before Press (LBP)** - in addition to the VIPR, all sizes have leak before press technology, which guarantees a visual indication if the fitting is not pressed; 1/2" has a 3 path LBP system and 3/4" & up have a 4 path LBP system
- **Permanent Application Marking** - imprinted on fitting body for quick H<sub>2</sub>O or gas application identification
- **Lead-Free\* Construction** - fully compliant with current lead-free laws
- **Copper Ends** - protect against dezincification and stress corrosion cracking

**Operational Parameters:** Operating/Test Pressure = 300 PSI/600 PSI, Temperature Range 0°F - 250°F

**Approvals:** NSF ANSI/CAN 61, UPC, cUPC, IPC, IAPMO PS-117, ICC-ES-PMG, ASME B16.51



Part Number	D1 (in)	D2 (in)	D3 (in)	L1 (in)	A1 (in)	L2 (in)	A2 (in)	L3 (in)	A3 (in)
MB24110	2-1/2	3/4	2-1/2	3.56	1.83	4.17	3.23	3.66	1.93
MB24120	2-1/2	1	2-1/2	3.56	1.83	4.19	3.25	3.60	1.87
MB24130	2-1/2	1-1/4	2-1/2	3.56	1.83	4.35	3.21	3.60	1.87
MB24140	2-1/2	1-1/2	2-1/2	3.56	1.83	4.61	3.15	3.60	1.87
MB24150	2-1/2	2	3/4	3.25	1.52	3.72	2.11	3.74	2.80
MB24160	2-1/2	2	1	3.25	1.52	3.72	2.11	3.54	2.60
MB24165	2-1/2	2	1-1/4	3.25	1.52	3.72	2.11	3.58	2.44
MB24170	2-1/2	2	1-1/2	3.25	1.52	3.72	2.11	3.74	2.28
MB24180	2-1/2	2	2	3.25	1.52	3.72	2.11	3.43	1.81
MB24190	2-1/2	2	2-1/2	3.56	1.83	3.56	1.95	3.66	1.93
MB24200	2-1/2	2-1/2	1/2	3.25	1.52	3.25	1.52	3.66	2.85
MB24210	2-1/2	2-1/2	3/4	3.25	1.52	3.25	1.52	3.70	2.76
MB24220	2-1/2	2-1/2	1	3.25	1.52	3.25	1.52	3.58	2.64
MB24230	2-1/2	2-1/2	1-1/4	3.25	1.52	3.25	1.52	3.58	2.44
MB24240	2-1/2	2-1/2	1-1/2	3.25	1.52	3.25	1.52	3.74	2.28
MB24250	2-1/2	2-1/2	2	3.25	1.52	3.25	1.52	3.43	1.81

Find us in  
**MasterSpec®**  
Powered by Deltek Specpoint®

Merit Brass Company reserves the right to change any portion of the information shown on this sheet without obligation to change our press fitting line, CopperPress™, by Merit Brass Co. previously or subsequently sold. Visit [www.meritbrass.com/pressfitg](http://www.meritbrass.com/pressfitg) for the most current information. Every precaution has been taken in preparing this sheet. Merit Brass Company cannot be held responsible for omissions or typographical errors. \*Conforms with lead content requirements for lead-free plumbing as defined by the U.S. Safe Drinking Water Act. Certified <=0.25 weighted average % lead.

# CopperPress™ Submittal

By Merit Brass Co.



DIRECTING THE FLOW OF *Quality*

## XL Press Unequal Tee

Part Number	D1 (in)	D2 (in)	D3 (in)	L1 (in)	A1 (in)	L2 (in)	A2 (in)	L3 (in)	A3 (in)
MB24270	3	3/4	3	4.11	2.11	5.10	4.15	4.31	2.30
MB24280	3	1	3	4.11	2.11	4.92	3.98	4.31	2.30
MB24290	3	1-1/4	3	4.11	2.11	5.02	3.88	4.31	2.30
MB24300	3	1-1/2	3	4.11	2.11	5.10	3.64	4.31	2.30
MB24310	3	2	2	3.64	1.63	4.35	2.74	3.76	2.15
MB24320	3	2	2-1/2	3.98	1.97	4.69	3.07	4.00	2.26
MB24330	3	2	3	4.11	2.11	4.55	2.93	4.31	2.30
MB24340	3	2-1/2	2	3.64	1.63	4.15	2.42	3.76	2.15
MB24350	3	2-1/2	2-1/2	3.98	1.97	4.49	2.76	4.00	2.26
MB24360	3	2-1/2	3	4.11	2.11	4.74	3.01	4.31	2.30
MB24370	3	3	1/2	3.64	1.63	3.64	1.63	4.07	3.27
MB24380	3	3	3/4	3.64	1.63	3.64	1.63	4.15	3.21
MB24390	3	3	1	3.64	1.63	3.64	1.63	3.96	3.01
MB24400	3	3	1-1/4	3.64	1.63	3.64	1.63	4.07	2.93
MB24410	3	3	1-1/2	3.64	1.63	3.64	1.63	4.31	2.85
MB24420	3	3	2	3.64	1.63	3.64	1.63	3.76	2.15
MB24430	3	3	2-1/2	3.98	1.97	3.98	1.97	4.00	2.26
MB24450	4	3	2	4.02	1.61	4.80	2.80	3.25	1.63
MB24460	4	3	3	4.51	2.11	4.82	2.81	4.63	2.62
MB24470	4	4	1/2	4.02	1.61	4.02	1.61	4.63	3.82
MB24480	4	4	3/4	4.02	1.61	4.02	1.61	4.59	3.64
MB24490	4	4	1	4.02	1.61	4.02	1.61	4.43	3.48
MB24500	4	4	1-1/4	4.02	1.61	4.02	1.61	4.43	3.29
MB24510	4	4	1-1/2	4.02	1.61	4.02	1.61	4.59	3.13
MB24520	4	4	2	4.02	1.61	4.02	1.61	4.23	2.62
MB24530	4	4	2-1/2	4.17	1.77	4.17	1.77	4.47	2.74
MB24540	4	4	3	4.51	2.11	4.51	2.11	4.59	2.58

Find us in

**MasterSpec®**

Powered by Deltek Specpoint®